



rexresearch.com

Radiesthesia Patents

[WO 9523628](#)

[DEVICE FOR FORMING AN ENERGY FIELD](#)

Inventor: TOLSTOI VLADIMIR STEPANOVICH

Also published as: AU7865694

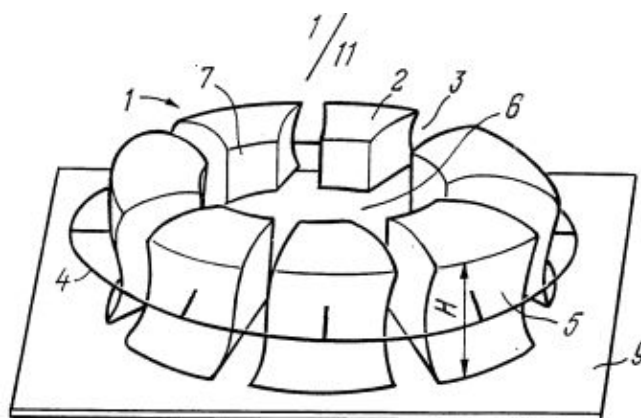


FIG. 1

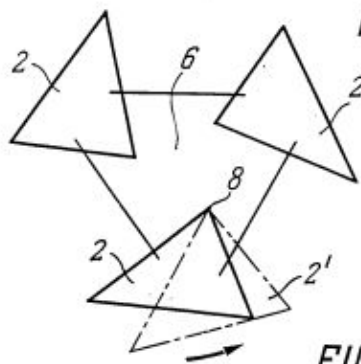


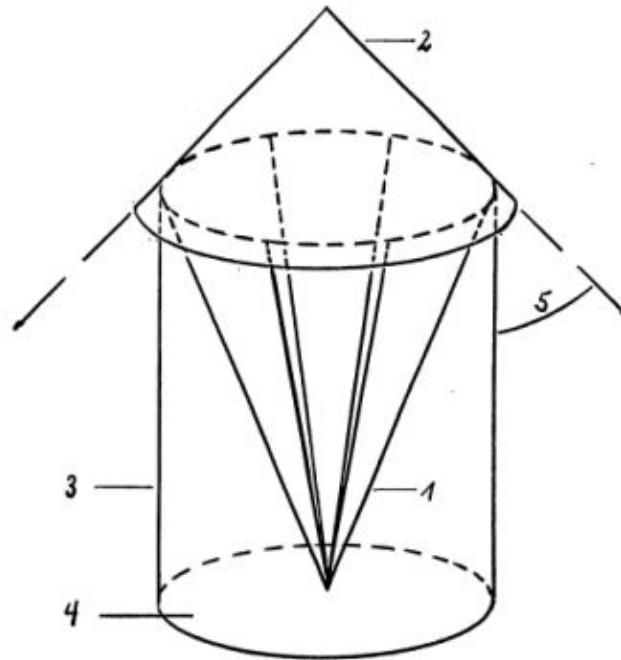
FIG. 2

Abstract -- The proposed device for forming an energy field comprises at least one collector (1) made up of a plurality of energy sources (2) arranged along a closed line and separated by gaps, with a central open area (6). The energy sources (2) are interconnected and can move in relation to each other.

[DE 3433292](#)

[Apparatus for the directed deflection or screening of so-called earth radiation - geopathogenic zones](#)

Inventor: VERZICHT DES ERFINDERS AUF NENNUNG

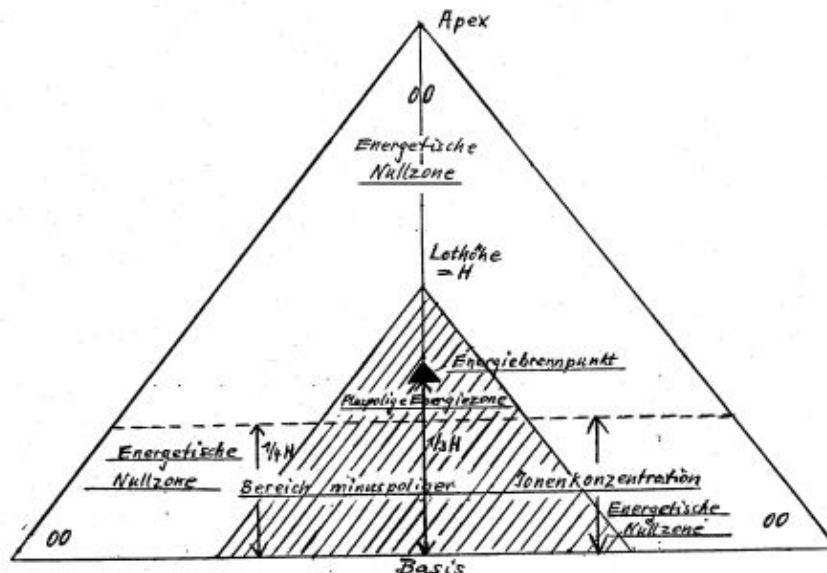


Abstract -- Antennas - bar antennas, V-shaped multiple-bar antennas, spirals, in connection with tubular sleeves which serve as wave guides and are or may be equipped with a ground reflector to increase their effect, emit all around a deflecting radiation or an interference radiation in the upright position in conjunction with a directional reflector mounted at the top, charged by a geopathic wave field. This radiation is capable in its effective range of drifting or neutralising other interfering stimuli/radiation caused by further interference zones (water veins, etc.). In the case of interference radiation/deflection radiation directed downwards due to a corresponding reflector shape there is no rod deflection above the erection site. In the case of interference radiation/deflection radiation directed upwards due to a corresponding reflector shape there is no rod deflection below the erection site. The effective range is influenced by the size of the antenna, the charge thereof (interference zone crossing) and by the shape of the reflector screen.

[DE 3525521](#)

[Pyramidal magnetic field device for the regulation of energy disturbances in the human body or for the continuous material recovery](#)

Inventor: KAUSCH OTTO

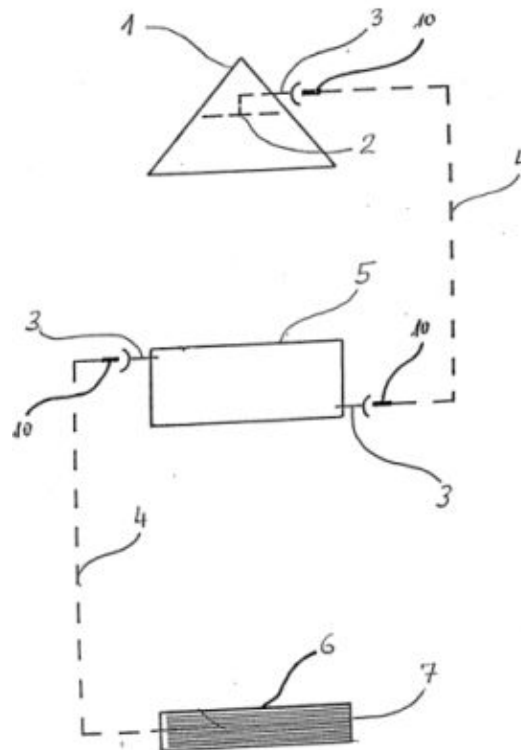
Energiesituation im Pyramidenraum

Abstract -- The device comprises, for example, a pyramid of dielectric material having the dimensions, as true to scale as possible, of the Cheops pyramid and in a size corresponding to the use to which it is put. The collector effect of the pyramid, one edge of which is to be aligned to magnetic north, bundles the positive pole energy of the magnetic earth field in the energy core of the device. As in a mirror image, "reflected" force fields with negative energy result above and below the pyramid. a) By appropriately positioning a person in, above or underneath the pyramid it is possible to supply the bundled energy resulting from the collector effect of the pyramid to the person in order to balance out energy disturbances of the body. b) If the subject-matter of the application is used for the continuous automatic material recovery a pyramid of appropriate size is to be fitted over the metal part (e.g. bearing) in such a way that the part is located within the energy core of the pyramid and the pyramid is aligned to the direction of magnetic north/south.

DE 3823178

Device for collecting and selectively transmitting programmed radiesthetically measurable radiation, in particular, to the human body

Inventor: NEMITZ MANFRIED

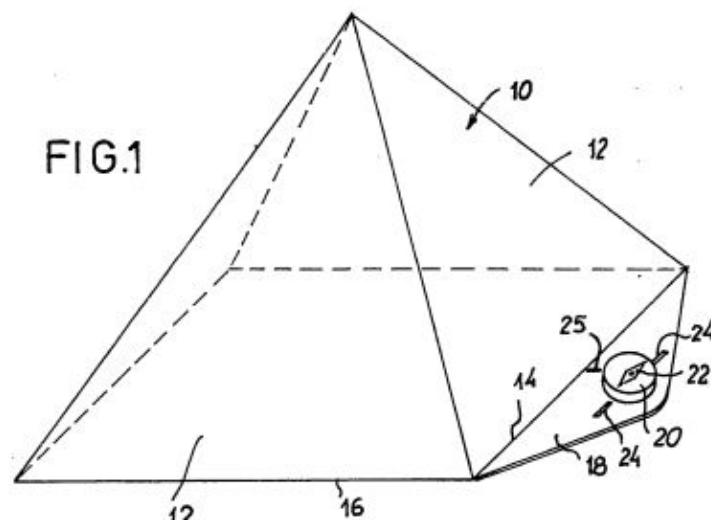


Abstract -- The invention relates to a device for collecting and selectively transmitting programmed radiesthetically measurable radiation, in particular, to the human body. The device comprises three or four functional elements which are connected to one another, namely a pyramid-shaped body as a radiation collector, a vessel serving as radiation transmitter and a tubular radiation injector and, if appropriate, a radiation adapter.

[DE 8460071](#)

[Device for accruing cosmobiological energy](#)

Inventor: RUDHARDT, ELFRIEDE, 8960 KEMPTEN, DE



Abstract -- A hollow body (10) in the form of a regular pyramid with a square base has an outer attachment (18) along its one bottom edge (14), on which attachment a magnetic compass (20) is secured, a marking (24; 25), provided on the attachment (18), lying with the compass axis in a plane which is parallel to one pair of bottom edges (14) and at right angles to the other pair of bottom edges. The hollow body (10) can be moved quickly and accurately into a position in which two parallel bottom edges (14; 16) are aligned in the earth's

North-South direction. In this position, the hollow pyramid is able to accrue cosmobiological energy and to supply it to objects situated therein.

EP 0838208
DEVICE FOR TREATING AN ORGANISM WITH ENERGY

Inventor: DENISOV STANISLAV GEORGIEVICH [RU] ; ATAEV DZHAVANSHIR ISMAIL OGLY

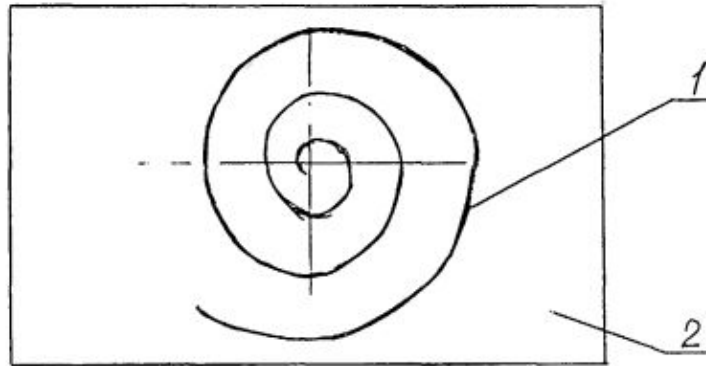


Fig. 1

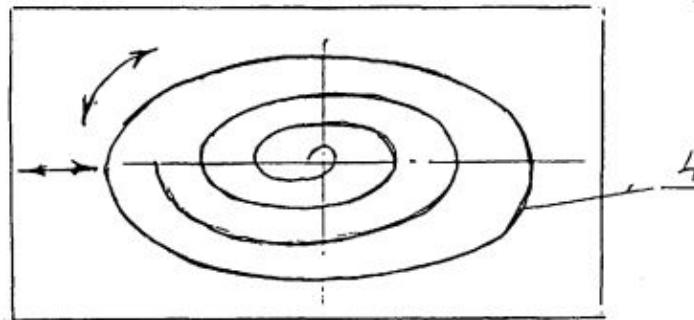


Fig. 2

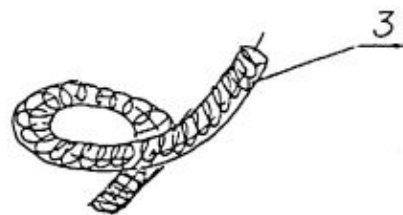


Fig. 3

Abstract -- Device by energetics affect to bio-object contains wire which is fixed on a substrate as open-ended space spiraling curve, and wire, is representing by not crossing coils, is located in spiral form, and the device is supplied by the element for regulation of intensity by affect, this element executed as closed electro-conductivity contour, which is located with possibility to change its position concerning space spiral-graphic curve. Space spiral-graphic curve can be ellepes -graphic form, and closed contour - form curve, located with a

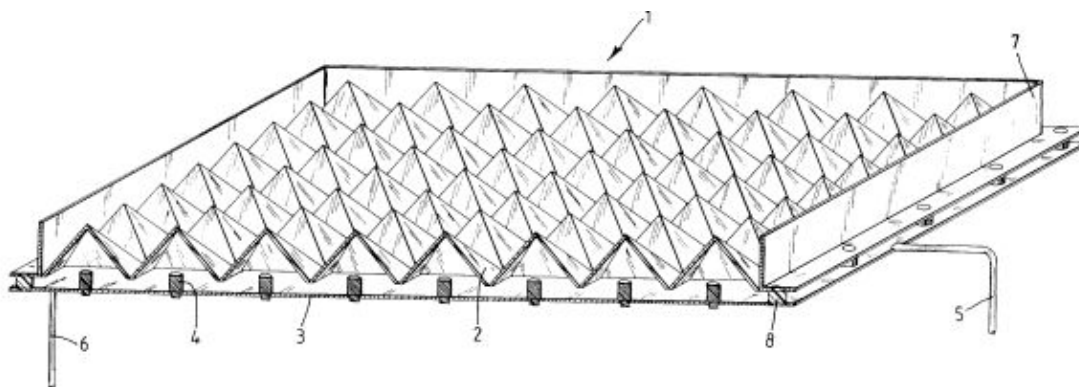
opportunity of turn and linear moving concerning space spiral-graphic curve. The wire can be executed as electro-conducting cover, which is made up of dielectric material. The device can be supplied having by bio-energetics activity chemical elements such as tellurium, lanthanum, gadolinium, bismuth and etc., which are located in a zone of wire arrangement.; The way of valuation at efficiency device's work by energetic affect to bio-object is concluded to measure conductivity of biologic active points by Foll's method at ten main points on each foot and brush before and after affect, to determine for each point its deviation from given significance, which is accepted 50+2 scale points of the device, thus repeated measurements conductivity make after period of time, equal 1, 24 or 48 hours, and the efficiency by affect is evaluate at size of deviations conductivity is received by results its measurement after effect, do not exceeding 40% from size of deviations conductivity, received by results of its measurement before the affect.

[EP 0673185](#)

[Device for improving the efficiency of engines](#)

Inventor: BERGMANN HERMANN

EC: H05F7/00

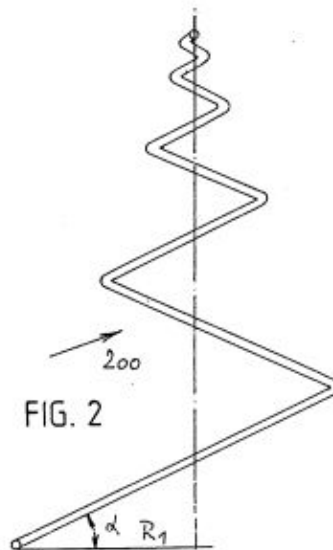


The device has a plate (1) provided with a number of pyramids (2), with a pin (4) positioned centrally under the peak of each pyramid, supported by an electrically-conductive collector plate (3). A pair of electrical leads (5,6) extend between the collector plate and the fuel feed for the i.c. engine, or the engine block, or between the collector plate and the electric motor leads, or the electric motor housing. Pref. the individual pyramids are made of Cu sheet and arranged in a matrix with eight pyramids in each direction. Magnets may be inserted in the leads between the collector plate and the i.c. engine or electric motor.

[WO 9420702](#)

[DEVICE FOR CONVEYING DAMP OR SALTS](#)

Inventor: MOHORN WILHELM

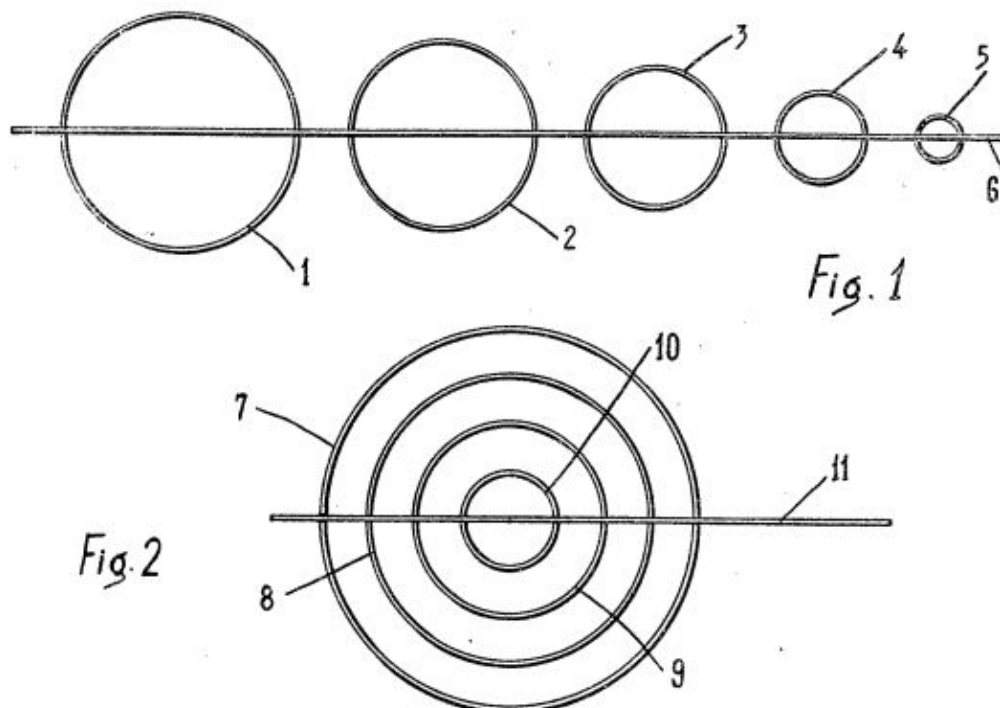


Abstract -- In a device for conveying damp or salts, e.g., to dry masonry, with at least one electrical conductor wound into a coil (100) and fitted in a housing, the winding diameter of the coil (100) diminishes spirally from one end to the other. Here the distance between the windings of a spiral or wedge-spiral coil (100) and the coil axis in the inward direction is 40 to 60 % smaller on each full revolution than the previous distance. On average, therefore, this gives: for the spiral radius measured at 90 DEG : $R'1 = R1 - R2/4$; at 180 DEG : $R''1 = R1 - R2/2$; at 270 DEG : $R'''1 = R1 - R2 \times 3/4$; at 360 DEG : $R2 = R1/2$.

[FR 2554354](#)

[Device sensing telluric and cosmic waves and inhibiting their effects](#)

Inventor: DUPIN JACQUES



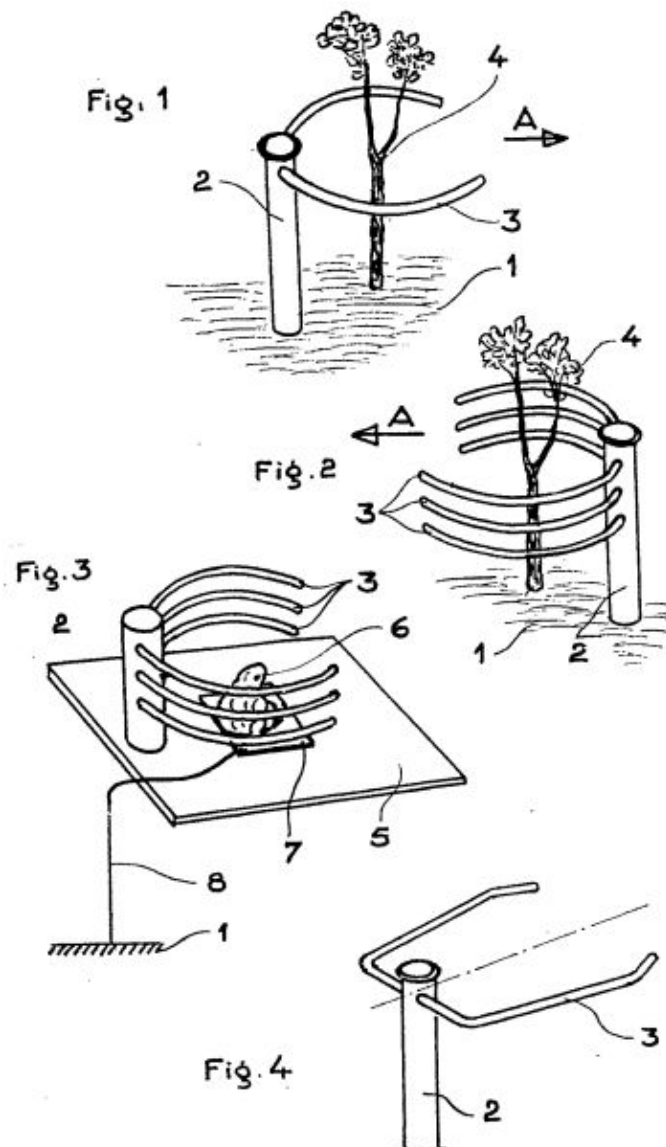
Abstract -- Device ensuring physiological protection against the harmful effects of telluric and cosmic waves.

The invention is constituted by one or several oscillating circuits formed of rings associated with a bar parallel to their plane and extending on either side, the said device being placed horizontally oriented northwards. It is in this way that the device can comprise the rings 1 to 5 centred, side by side, on a single bar 6 or concentric according to 7 to 10 associated with the bar 11, their effect differing in power according to the disposition adopted. The invention can be used to increase physiological comfort and to improve health.

GB 107765

Device for affecting the growth or properties of organic or mineral bodies

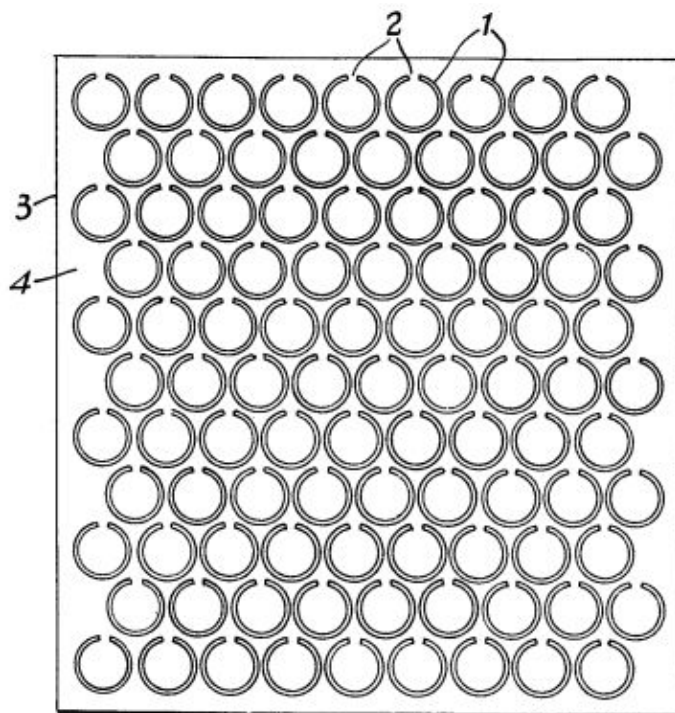
Inventor: ROBERT ANFOSSO



Abstract -- A device said to stimulate plants, or animal or mineral bodies, comprises one or more arcuate or bent member 3 of an electrically conductive material supported on an electrically insulating member 2 of ebonite or a synthetic plastics material. An animal or mineral body being treated may be positioned on an earthed plate. The effect is said to be improved if the member 3 is directed to the East.

GB 766886**A device for screening or neutralising dowsing rays or fields**

Inventor: WALTER GISHFORD EDWARDS

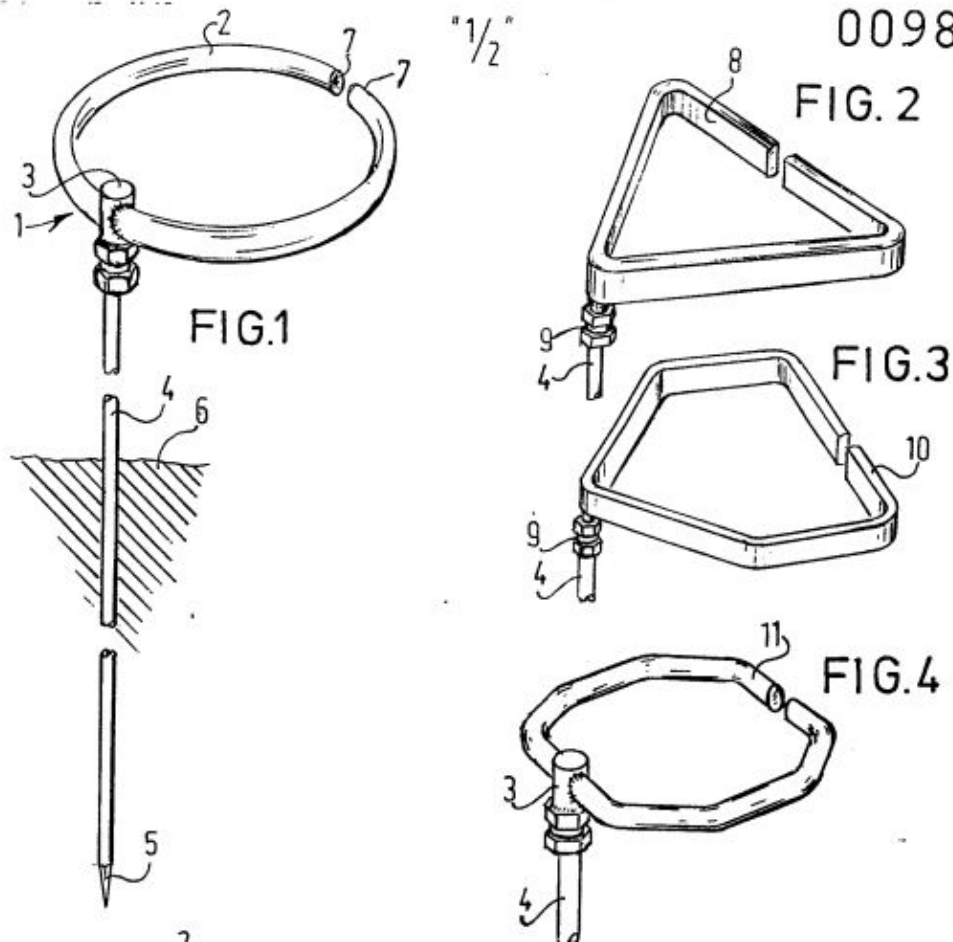


Abstract -- A device for screening the body from dowsing rays or fields comprises a foundation 4 of paper or other suitable material to which is secured rings 1 or loops of metal wire or foil arranged in a comtioon plane so that they do not touch one another. The rings 1 or loops may be made of copper wire or foil and each ring may be broken to form a gap 2.

EP 0098656
Earthing device

Inventor: GIERKINK ALPHONS JOHANNES

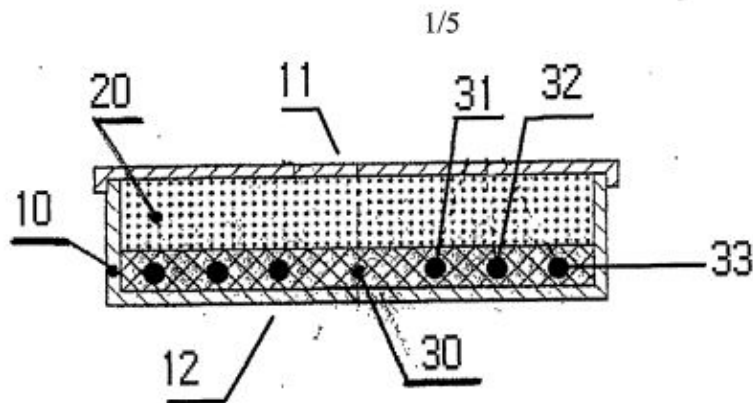
0098656



Abstract -- The invention has for its object to counteract the negative influence of biologically active fields on living organisms and provides for this purpose a device for neutralizing such fields, said device comprising an electrically conductive strip or wire having an earth connection at the middle, said strip or wire being located substantially in one plane and being constructed in the form of a ring symmetrical to the middle, whilst the ends of the strip or wire are spaced by a small distance.

WO 0240859
SYSTEM AND METHOD FOR GENERATING A RIGHT TORSION FIELD

Inventor: PAVLENKO ANATOLIY R [UA] ; PAVLENKO OLEXANDER



Abstract -- A device for generating a right torsion field having an outer body, a salt solution, and ring. The ring generates a first right torsion field. The ring and the salt solution are disposed within the outer such that a portion of the first right torsion field propagates through the salt solution.; A device for generating a right torsion field (43) having an outer body (10), a salt solution, and a ring (31, 32, 33). The ring (31, 32, 33) generates a first right torsion field (41). The ring (31, 32, 33) and the salt solution are disposed within the outer body (10) such that a portion of the first right torsion field (41) propagates through the salt solution.

FR 1260006

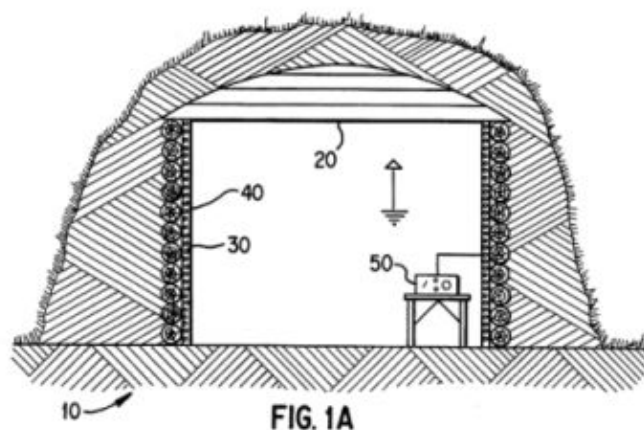
Emetteur de radiations calculées

Inventor: BIENBOIRE GUY-EDOUARD-GABRIEL

US 5449376

System and method for producing highly amplified radio signals for feedback into the human body

Inventor: CALLAHAN PHILIP

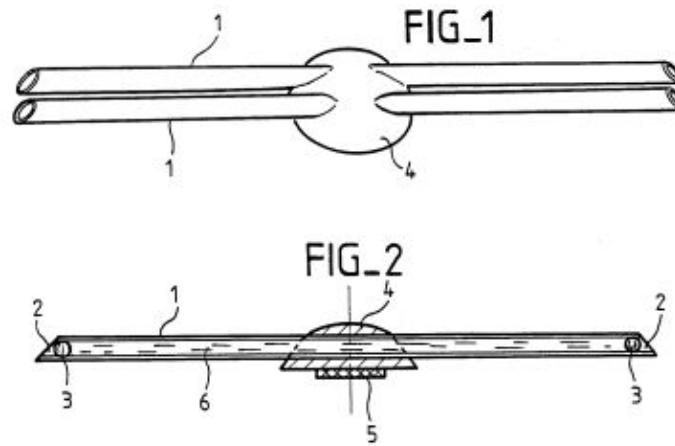


Abstract -- The present invention includes an apparatus and method for generating, duplicating, and transmitting biophotonic radio frequencies that propagate along the atmospheric boundary layer of the human skin and the earth's atmosphere. These biophotonic radio frequencies are applied to a human patient for therapeutic purposes. This function is realized with the use of a series of oscillators (i.e., electronic function generators) designed to produce modulated or unmodulated sine and square wave photons. The oscillators are further adapted to emit the modulated or unmodulated sine and square wave photons from a dielectric or metal antenna built as loops into the walls of a diamagnetic-paramagnetic chamber. When a person is seated in the chamber, the photons of energy from the waves generated along the loop antenna penetrate the human body and provide a variety of therapeutic benefits. Among these therapeutic benefits are relief of rheumatic muscular pain, slowing the metabolism, increasing the efficiency of the immune system, eliminating certain psychosomatic ailments, and suppressing cancer.

WO 9325270

DEVICE FOR PROTECTION AGAINST THE BIOLOGICAL EFFECTS OF ELECTROMAGNETIC NON-IONISING RADIATIONS, PARTICULARLY THOSE EMITTED BY VDU EQUIPMENT

Inventor: FILLION-ROBIN MAURICE SERGE

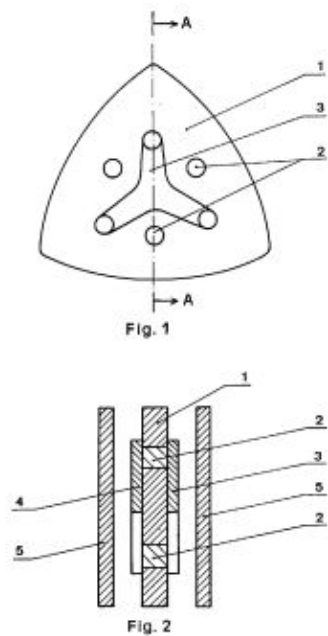


[EP 0551668](#)
Resonators eliminating the harmful effects on living beings from electromagnetic radiation

Inventor: SURBECK JACQUES
 EC: H05F7/00

[ES 2040624](#)
Electromotive power generator for therapeutic uses

Inventor: RAMOS FERNANDEZ FELICISIMO



[EP 0302192](#)
Device for the treatment of living beings and plants with pyramid energy

Inventor: OEHME RAINER

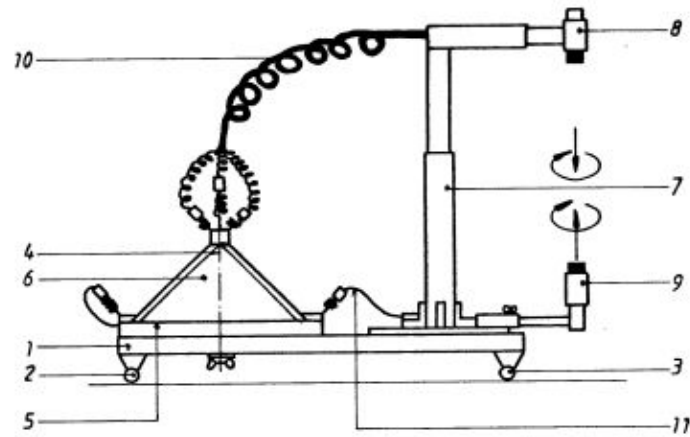


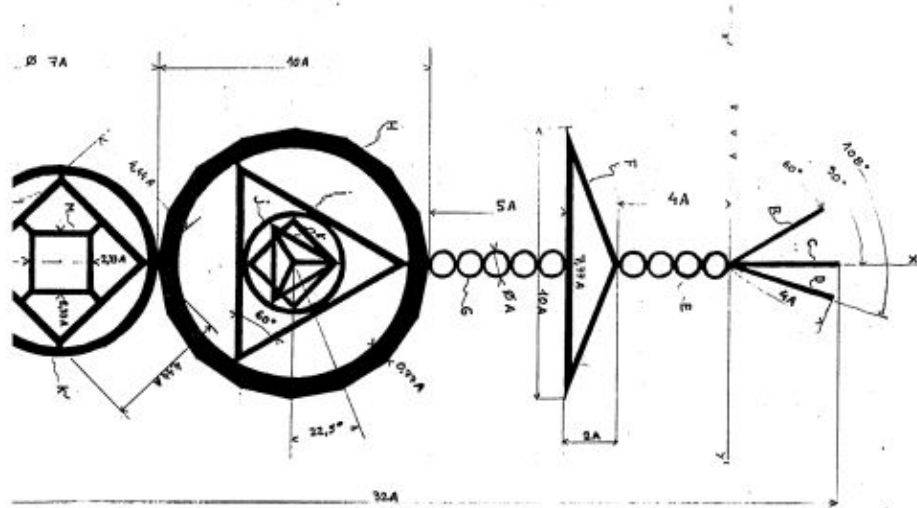
Fig. 1

Abstract -- In a device for the treatment of living beings and plants with pyramidal energy, the energy is picked up on energy pick-up lines (12, 13), which are arranged electrically separate along the four edges of the pyramid (6). Since the emission of energy is particularly strong along the pyramid edges, a particularly large amount of energy can be picked up by energy pick-up lines (12, 13) of this type. Such energy pick-up lines (12, 13) are considerably cheaper to produce.

[FR 2618076](#)

[Device for emitting beneficial wave forms](#)

Inventor: BOURGOUIN DOMINIQUE [FR] ; DACIER CHRISTOPHE

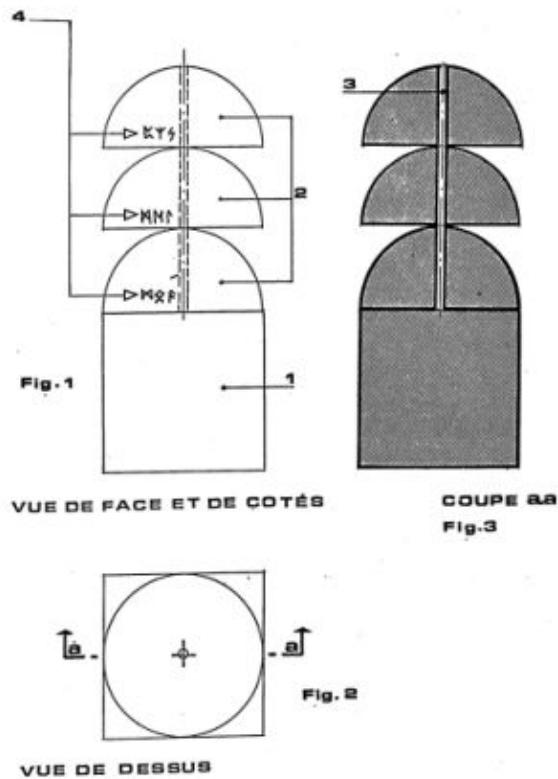


Abstract -- The invention relates to a device allowing the emission of wave forms which are beneficial for all living things. It consists of a set of geometrical shapes whose arrangement generates a symbolic application and gives rise to the appearance of powerful emissions which are beneficial for all living beings. The device according to the invention is in particular intended for creating a beneficial vibrational field.

Cited documents: FR2329089 // FR2554354 // FR1584210 // FR2421531

[FR 2591494](#)[Ambience harmoniser consisting of a cube surmounted by three hemispheres which can move around a vertical axis](#)

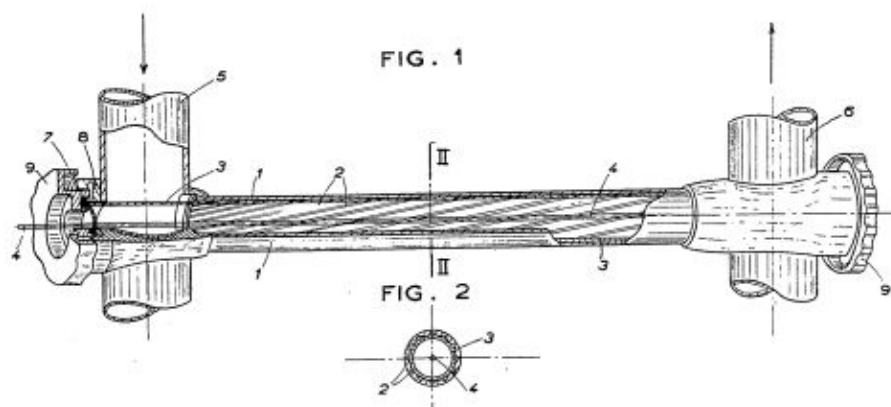
Inventor: BABONNEAU BERNARD



Abstract -- Device for harmonising a location. The invention relates to a device for obtaining or re-establishing maximum vibrational harmony of a location. It consists of a cube 1 surmounted by three hemispheres 2 which can move around a vertical axis 3. Twenty-four "runes" 4 are pyrographed on each hemisphere. The device according to the invention is intended in particular for general harmonisation working towards maintaining plants, animals and human beings in "good health" in the place in which they live.

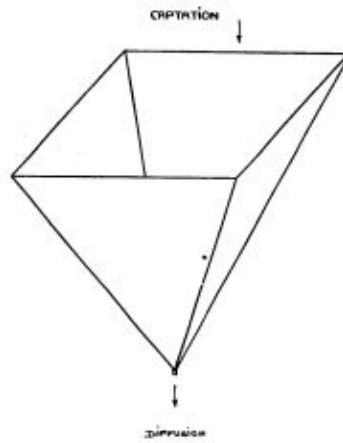
[FR 930466](#)[Method and apparatus for the processing of fluid by radiation](#)

Inventor: PEQUIGNOT MICHEL



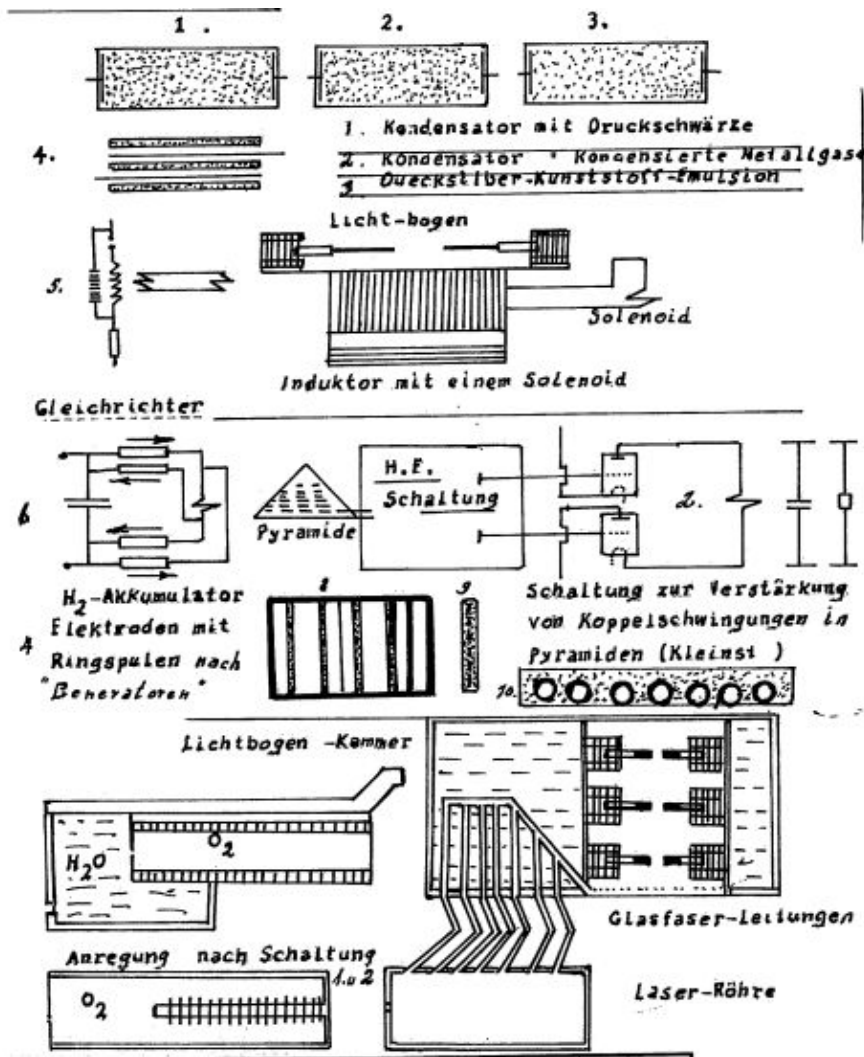
FR 1153623
Collecting and use of the cosmic rays

Inventor: LARONZE JEAN-ANDRE



DE 2457792
TECHNISCHE ANORDNUNGEN

Inventor: HANSCHMANN HORST



Construction of arrangements and technical apparatus among other things for the degradation of cancer cells.

[DE 8535780](#)
[Probe](#)

Inventor: HANS BRUEGEMANN GMBH

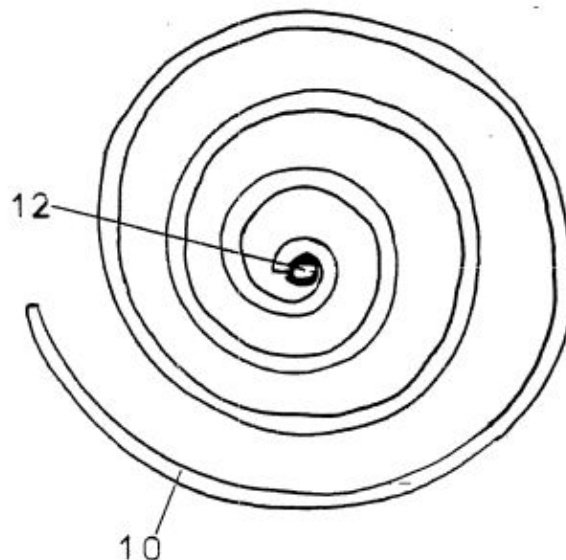


FIG. 1

Such probes with body electrode are known and come before all things for therapeutic purposes to the use. A known therapy procedure plans it to strengthen the bio alternating field in one, detected of the body of an patient with an acceptance probe, the probe downstream metre to diagnose and provide feeding back with the calculated complement either over the same acceptance probe or over an other particular

[DE 2559383](#)

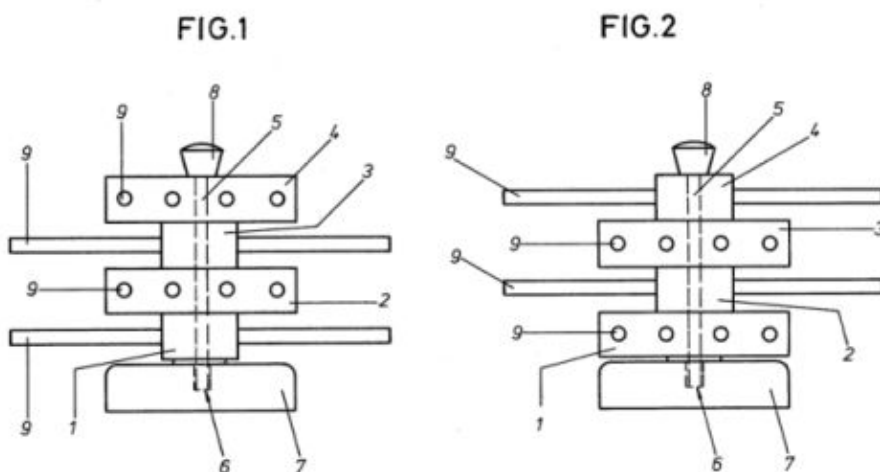
[Method & Apparatus for Programming of Cells](#)

Inventor: HANSCHMANN HORST

[GB 2117183](#)

[Protective apparatus](#)

Inventor: ARENS CARL [DE] ; SCHMIDT PAUL



Abstract -- Apparatus for protecting living organisms against geo-biological radiation comprises a series of

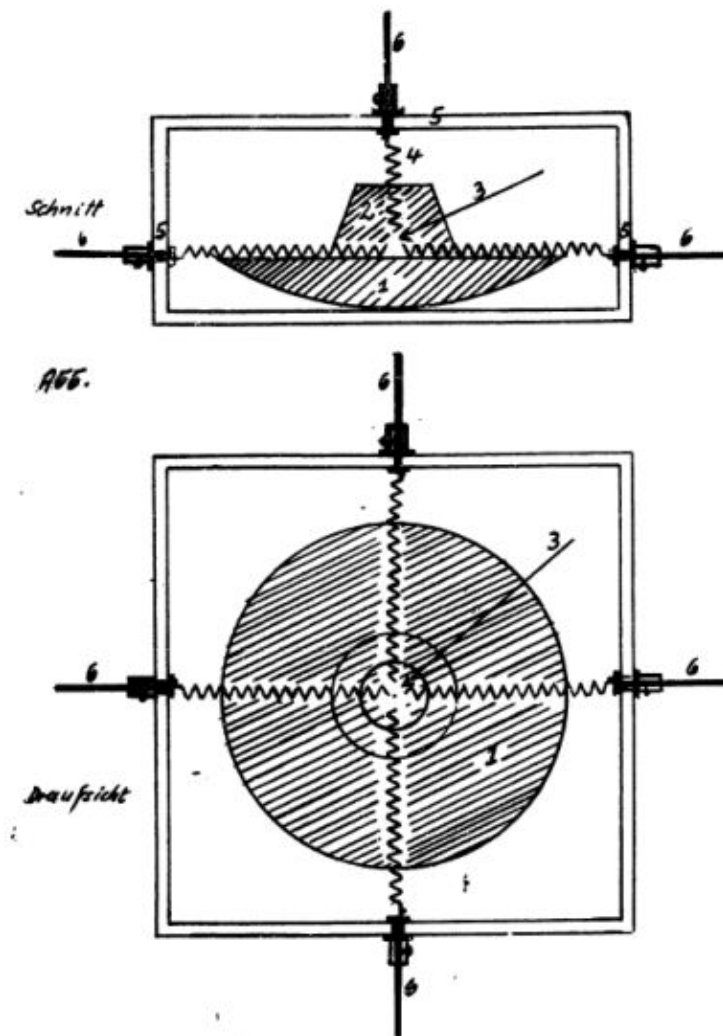
layers of spaced apart electrically conducting metal rods 9. The rods in each layer are parallel to each other and are held in an electrically insulating holder member 1-4 of plastics material. The members 1 to 4 are clamped together by a knob 8 on a rod 5 which is screwed into a pedestal 7. The rods in adjacent layers are shown at 90 degrees to each other, but this angle can be adjusted by loosening the rod 5, turning the holder members and then tightening the rod again.

Also published as: FR2523850 // DE8208300 // CH658790

Cited documents: DE3036085 // GB1077765

DE 7143603 Shielding Equipment

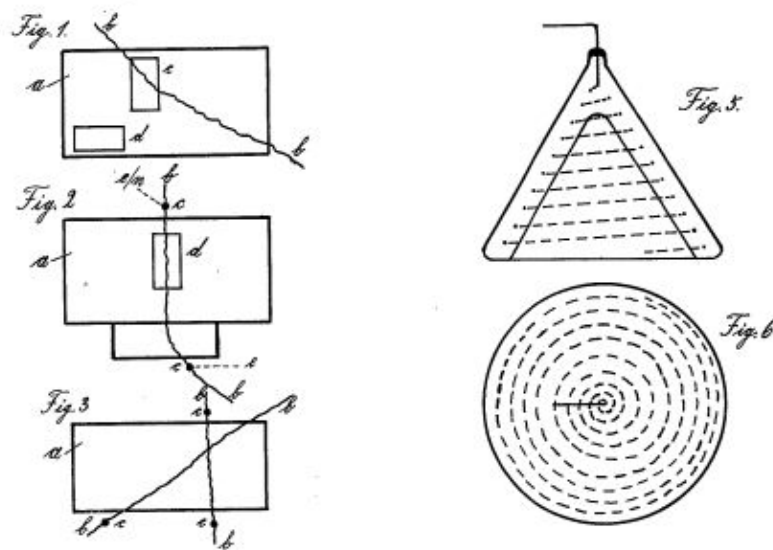
Inventor: ANGELE J



The invention relates to shielding equipment to weaken electrical radiation, caused from shafts by running water in the earth and variations of the earth's magnetic field, furthermore wave gate zones and other effects of other origins.

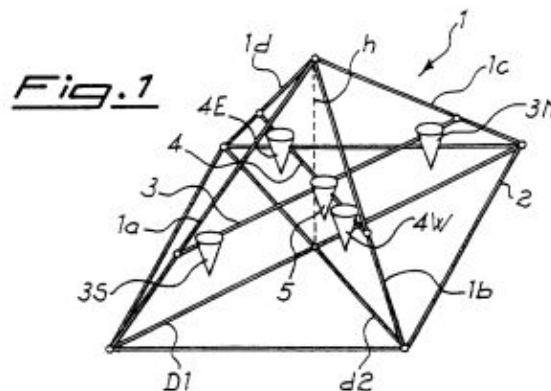
CH 145271 Mechanism to Collect Telluric Energy

Inventor: EDUARD HART

**EP0651595****Process and associated device for the neutralisation of the effects of electromagnetic fields within open areas and/or volumes**

Inventor: CICCOLO ENZA

Cited documents: GB385987 // DE3543765 // DE3433292 // DE4009003



Abstract -- Device for neutralizing the effects of electromagnetic fields inside areas and/volumes in which said fields occur, consisting of a pyramid (1) having as its base a rhombus (2), the greater diagonal (D1) and smaller diagonal (d2) of which are respectively of a length such as to give rise to a so-called golden ratio $D1/d2$, and also of a height (h) such as to give rise to a ratio $h/D1$ also of the golden type, there also being provided at least one pair of arms (3) and (4) respectively parallel to the greater diagonal (D1) and to the smaller diagonal (d2) and respectively joining pairs of opposite edges (1a,1c,1b,1d) of the pyramid (1), said arms (3,4) supporting in the region of said edges respective containers (3N,3S,4E,4W) designed to contain a predetermined quantity of a liquid and intersecting in the region of a further, central, container (5) arranged along the height of the pyramid.

WO 9212761
DEVICE FOR ACCELERATING GROWTH

Inventor: KOLAR GABOR

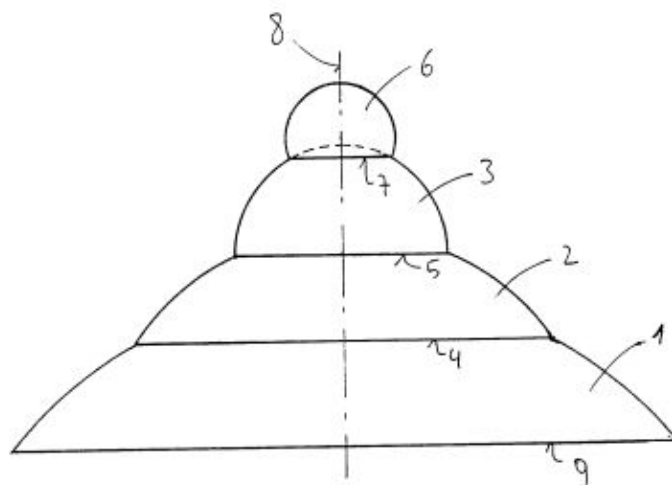


Fig. 1

Abstract -- The invention relates to a device for promoting and accelerating growth in human beings and animals and for accelerating the recovery of human beings and animals following illness and injury and to support healing processes. It consists of a combination of at least two of the items below, possibly with suitably selected intermediate components: a) pyramids with at least hexagonal bases; b) truncated pyramid with at least hexagonal base and summit surface; c) cylinders; d) tapered domes; e) truncated tapered domes; f) toroidal section; g) paraboloid region or cap; h) ellipsoid region or cap (9, 10); i) ridged band (11) on the surface of one of items a) to h), which may be of various shapes. Two items of the same group with differing dimensions may also be combined, with the proviso that, if only one of items a) to h) is combined with item i), there are at least six items i).

Also published as: JP5505332 // HU66203 // EP0522117 // AU1176492 // AT397618

Cited documents: EP0302192 // EP0229874 // FR2329089 // FR2572289 // FR2591494

WO 2006070213
DEVICE TO TRANSFER BIOLOGICAL ENERGY INTO BIOMECHANICAL ENERGY

Inventor: AKSZJONOVICS IGOR VASZILJEVICS

Also published as: RU2007129006 // HU0402686 // EP1861163

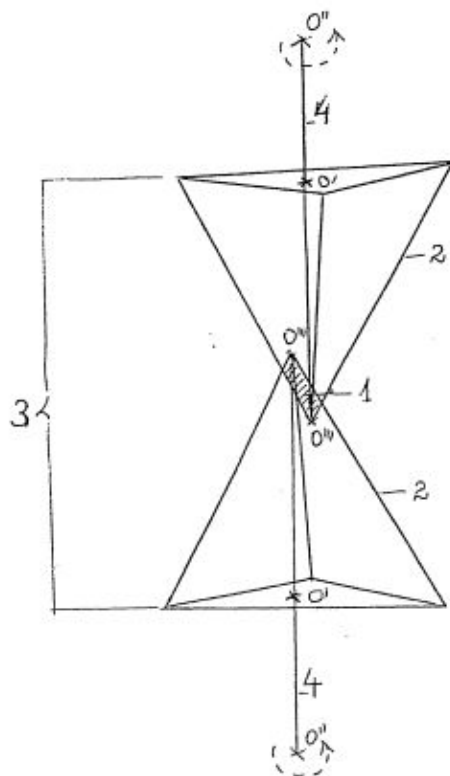


Fig. 1

Abstract -- The invention relates to a device realises the transformation of biological energy into biomechanical energy in the form of a geometric body. The characteristic feature of the invention is that it contains a number of pyramids or cones inserted into one another at their points or bases which form a unified geometric form, with a common space inside them, which may stand empty or be filled with organic or inorganic material, which may have any form, colour or extent, what is more the extent and form of the internal volume may be changed and regulated, the structure itself may be made of organic or inorganic material.

WO 9404221

DEVICE FOR ACCUMULATION OF BIOLOGICO-COSMIC ENERGY

Inventor: DODONOV BORIS PETROVICH [RU] ; DODONOV ROMAN BORISOVICH
 AKTSIONERNOE OBSHESTVO ZAKRYT [RU] ; DODONOV BORIS PETROVICH [RU] (+1)
 Also published as: AU2517692

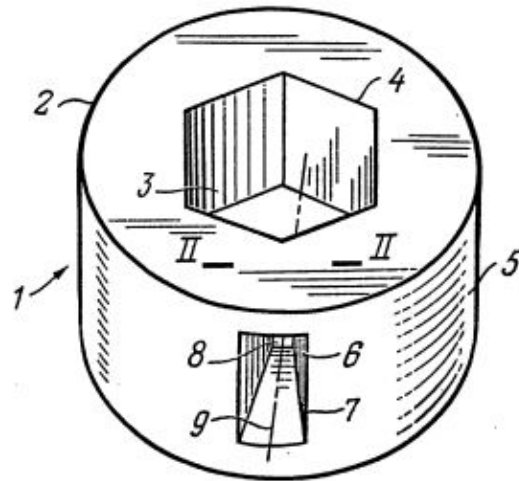


FIG. 1

Abstract -- The device (1) comprises a body (2) with a cavity in its central area having the form of a linear channel (3) and connecting with the surrounding space by an inlet opening (4). The lateral wall (5) of the body (2) is provided with at least one linear tangential channel (6) connecting by an outlet opening (8) with the linear channel (3) and by an inlet opening (7) with the surrounding space. The longitudinal axis of the tangential channel (6) is situated in a cross-sectional plane of the channel (3).

DE 3826890

Method for influencing the degree of order of an inorganic or organic system by using the change, occurring in the area of action of a hollow pyramid

Inventor: KEPPELER MANFRED
EC: B01D9/00

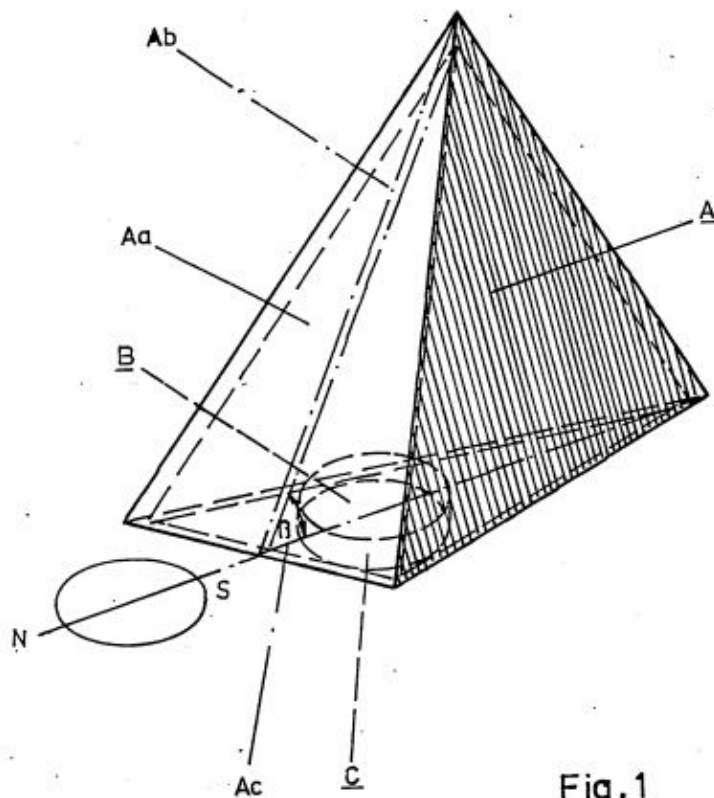


Fig. 1

Abstract -- The invention includes a method for influencing the degree of order of an inorganic or organic system by using the change, occurring in the active region of a hollow pyramid, in the sub-region of the terrestrial magnetic field otherwise prevailing there, by directing the terrestrial magnetic subfield to at least one hollow pyramid face, which is inclined essentially at the local inclination angle, is aligned together with the inclination plane with the magnetic north-south direction and is formed from diamagnetic material, on to the system, which is preferably brought into the interior, below or in the immediate vicinity of the pyramid, and exposing the system to the influence of the pyramid in essence over the duration of its natural development time. In addition, the invention includes a hollow pyramid for carrying out this method, in which at least one pyramid face is inclined at the inclination angle which is decisive for the application site, and at least this pyramid face consists of diamagnetic material having a volumetric susceptibility below -15 . The hollow pyramid preferably consists of brass, zinc, silver, bismuth, graphite or ytterbium with in each case a volumetric susceptibility of below -15 , or else of an alloy or composition of these materials. The method according to the invention is suitable for improving the formation of crystals in solutions, cultivating microorganisms (microbes), improving the germination of seeds...

[EP 0259769](#)

[Installation for pyramidal energy.](#)

Inventor: OEHME RAINER

Also published as: DE3630523

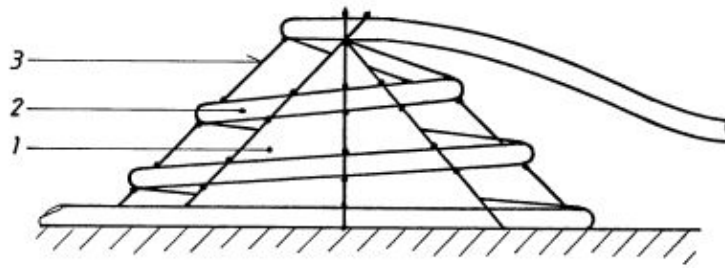


Fig. 1

Abstract -- A conductor (2) runs externally over a pyramid (1) in the form of a conical spiral. Its outgoing conductor part (4) is passed over the apex of the pyramid (1). The conductor (2) consists either of an electrical conductor or alternatively of a tubular body through which a medium to be treated can be passed. Using such a conductor (2) as an energy absorbing device, the complete vibration spectrum of the pyramid (1) can be detected.

[EP 0287687](#)

[Device for the treatment of living beings and plants by pyramidal energy.](#)

Inventor: OEHME RAINER

EC: A23L3/26; A61N1/04

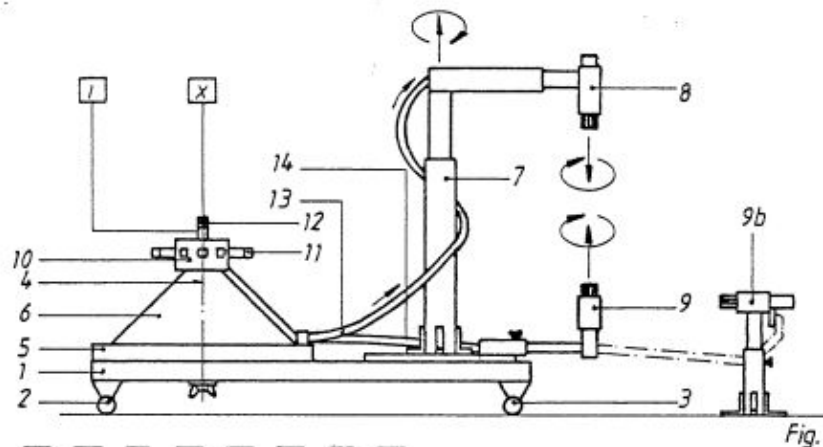


Fig. 1

Abstract -- Pyramidal energy is taken from a pyramid (6) by means of a vibration pick-up applied to it from above. Lines (13, 14) are guided down from this vibration pick-up (10) along an edge of the pyramid (6) and convey the picked-up energy to an upper and lower chakra electrode (8, 9), which are arranged on a support (7).

[EP 0229874](#)

[Protection device](#)

Inventor: PALM HUBERT DR MED

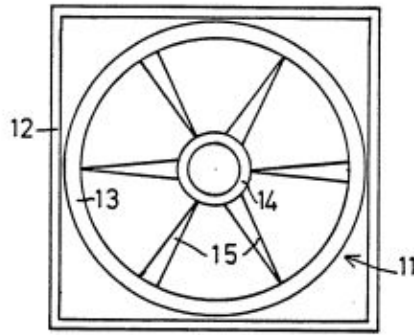
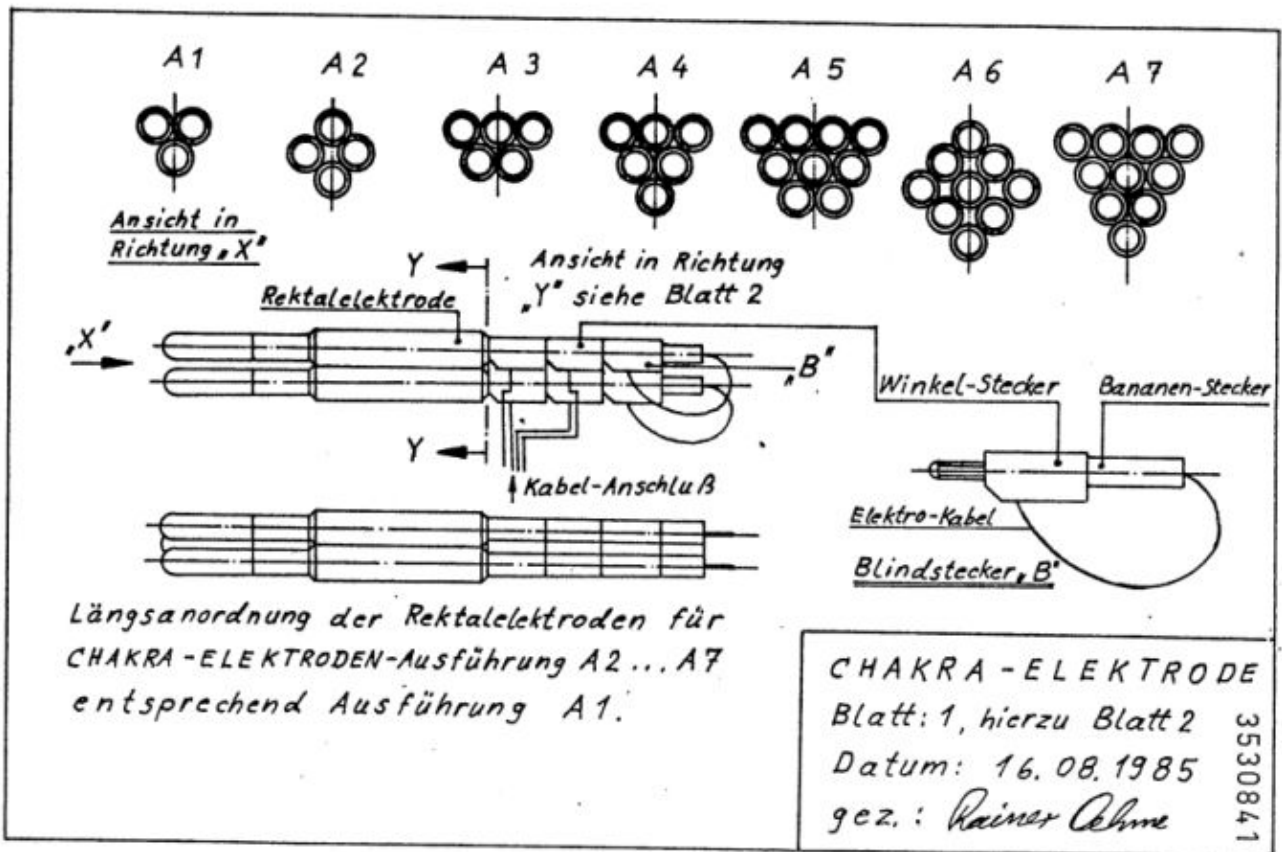


FIG. 1

Abstract -- The protective effect and healing action of the device for all life is based on its qualitative biological and structural equivalence to the harmonical system of the cosmos and especially, according to Kepler, of the solar system. Its construction starts from the assumption of all high religions and high cultures that the good part of the cosmos as a whole - as creation of God - and therefore with all its parts is an integral unit of life. Harmonic equipment that bears a qualitative structural resemblance to life and, in particular, is capable of electromagnetic vibrations, must therefore process biologically the same cosmic life forces as it has to transmit inductively, which experience shows occur everywhere in the cosmos, especially in the form of vibrations.

[DE 3530841](#)
[Chakra electrode](#)

Inventor: OEHME RAINER



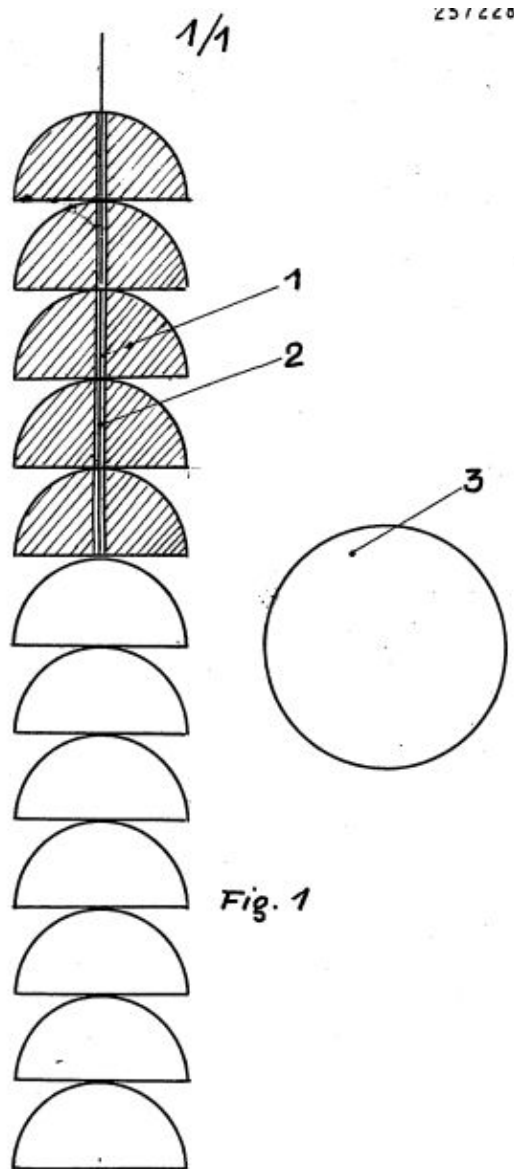
[FR 2580180](#)[System for protection against the physiological effects of electromagnetic fields](#)

RAZE ETIENNE [FR]

Abstract -- System intended for protecting living beings against the physiological effects of electromagnetic fields, characterised in that it is composed of at least two devices each consisting of a casing, on the bottom of which there are disposed at least a first bar made of a magnetisable material and at least one second bar made of a material which is non-magnetisable but which has a high coefficient of conductivity, these bars being disposed without touching each other in an open angular pattern, the remaining volume of the casing being filled with ferrite particles dispersed within a dry, inert microionised powder, and agglomerated using an inert binder, these devices being subjected before use to an activation treatment consisting in passing them through at least one pair of electromagnetic fields with inverted orientations,; the said devices together defining a protective screen situated in the space which separates them.

[FR 2572289](#)[Device having the ability to cure certain cancers](#)

LEMBEYE CHARLES [FR]



Abstract -- The invention relates to a device which has the ability to transmit an energy flux which cures certain cancers. This device consists of twelve hemispheres made of hard wood pierced with a hole 1 and threaded on a leather thong 2. A leather washer 3 is placed under the stack thus constituted.

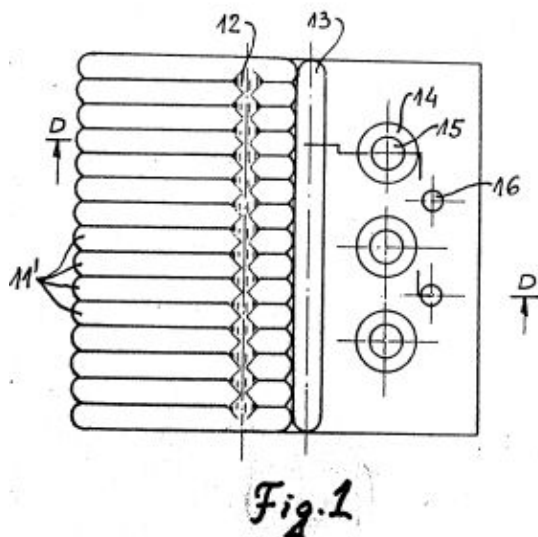
[CA 2043936](#)

[Device for accumulation, amplification and local direction of the positive cosmic energy.](#)

Inventor: STOJANOVIC BRANISLAV

Also published as:

EP0460670 // AU7819491

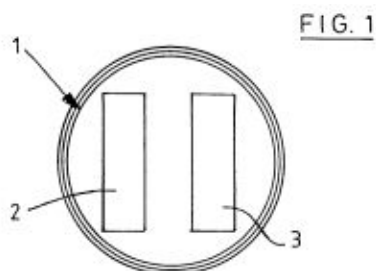


Abstract -- The novelty about the device for accumulation, amplification and local direction of the positive cosmic energy is that between the V-shaped arms (11) of the support (1) there is another V-shaped piece (2) which is fixed tightly by its arms (21) between the convexity (16) and a semi-cylindrical convexity (13) on the arms (11). At the end of the arms (11) there are cylindrical convexities (11') over which there is a convexity (12) at the angle of 90 degrees in relation to the longitudinal axis of the cylindrical convexities (11'). At the end of convexities (11') there is a cylindrical convexity (13).; On the outer surface of arms (11) there are three holes (15) on each side, respectively, and spherical convexities (14) around them, and two hemispherical convexities (16) on each side, respectively, next to them, whereas on arms (21) of the piece (2) there are three holes (24) on each side, lined with convexities (23) and there are two hemispherical convexities (22) on the outer surface of each side, as well as two hemispherical convexities (25) on the inner surface of the arms (21).

[EP 0296142](#)

[Device to counterbalance the surrounding electromagnetic radiation](#)

Inventor: DECKERS FRANCOIS



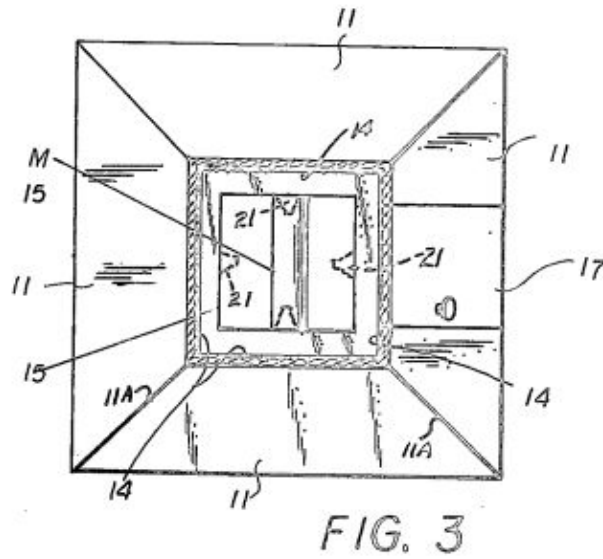
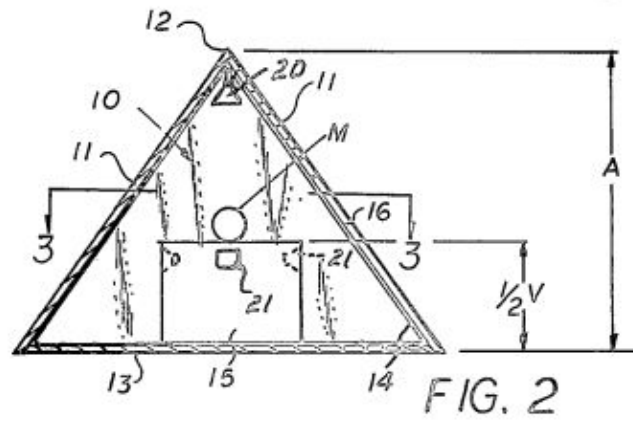
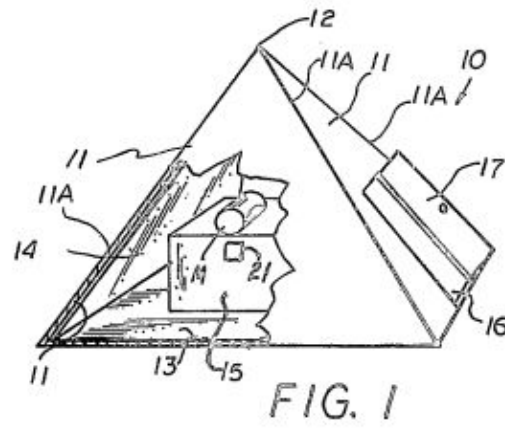
WO 9526215

Method of Immunomodulation of the non-specific reactivity of an animal organism

[GB 1496582](#)

[An Energy Reabsorption Enhancement Chamber](#)

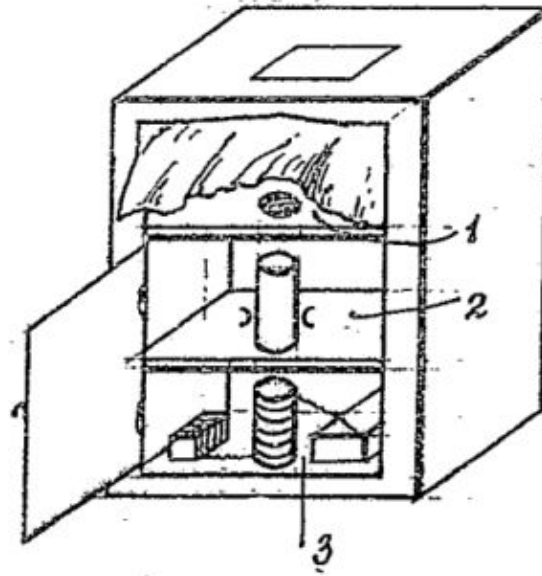
Inventor(s): SACHER FRANCES VON



FR 48135

Emetteurs d'ondes permettant de ranimer ou de transporter les ondes émises par les corps de la nature

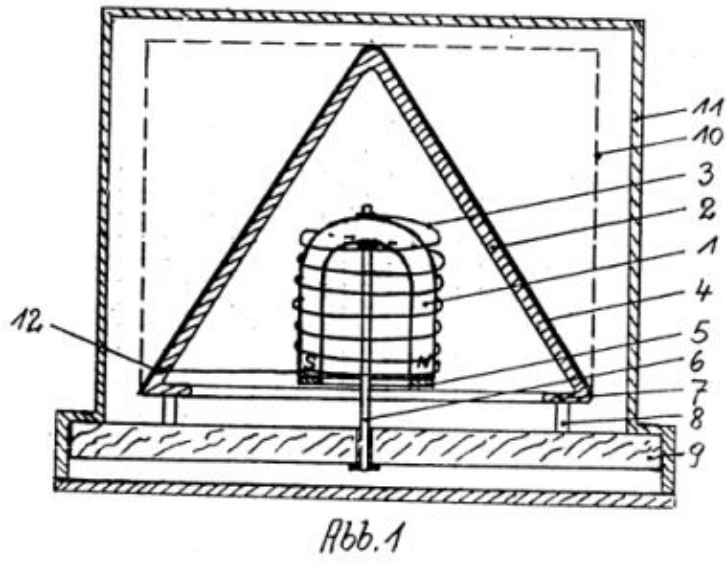
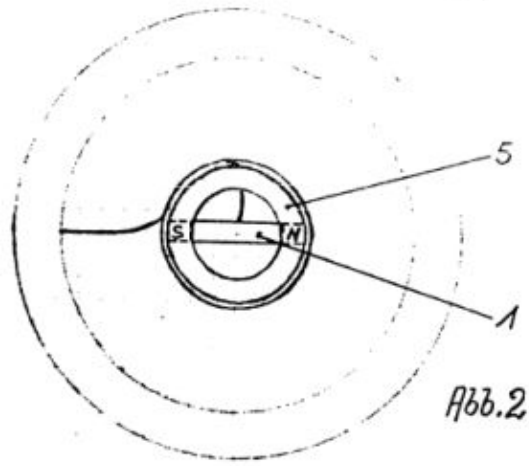
Inventor: TURENNE LOUIS



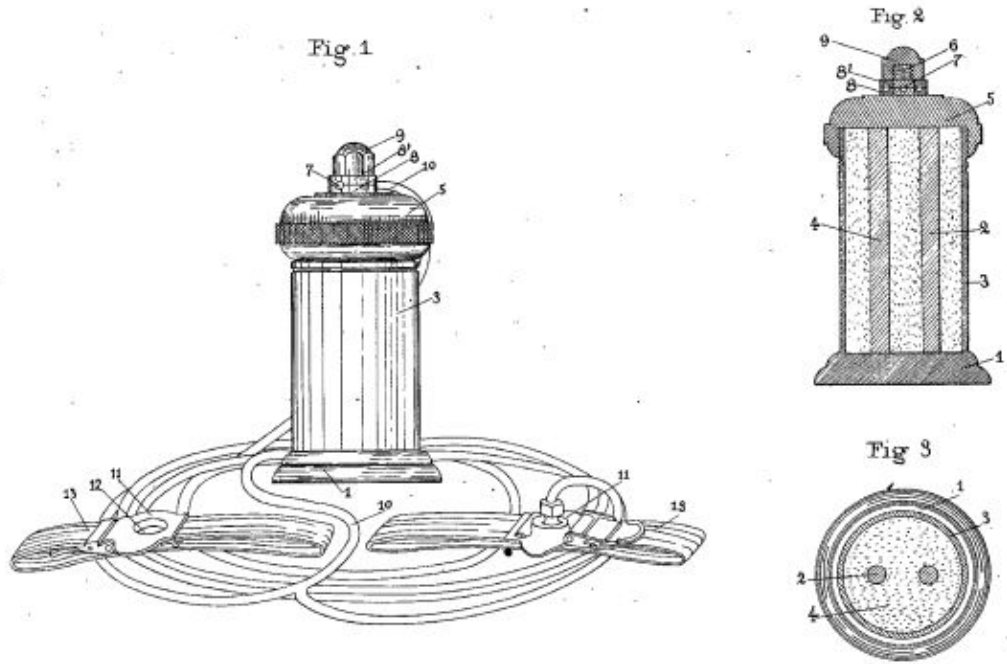
DE 1719878

ANORDNUNG ZUR ABSCHIRMUNG ODER ZUR NEUTRALISIERUNG VON FELDSTOERUNGEN

Inventor: JAKOB W F STAENGLER [DE]



FR 485945
No title available










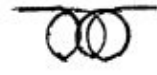







DE 3320510

Radiation switch for radiation deflection and irradiation

Inventor: VOELKNER KARL HEINZ [DE]

Applicant: VOELKNER KARL HEINZ

- | | |
|-------------------------------|--|
| 16. Schaf |  |
| 17. Widder |  |
| 18. Wolf |  |
| 19. Hirte |  |
| 20. Trüffel |  |
| 21. Pilz |  |
| 22. Embryo |  |
| 23. Klee |  |
| 24. Baby |  |
| 25. Schlange |  |
| 26. Spirale |  |
| 27. Spule |  |
| 28. Saturnring, Sauger |  |
| 29. Van Allen Gürtel
offen |  |
| 30. Van Allen Gürtel |  |

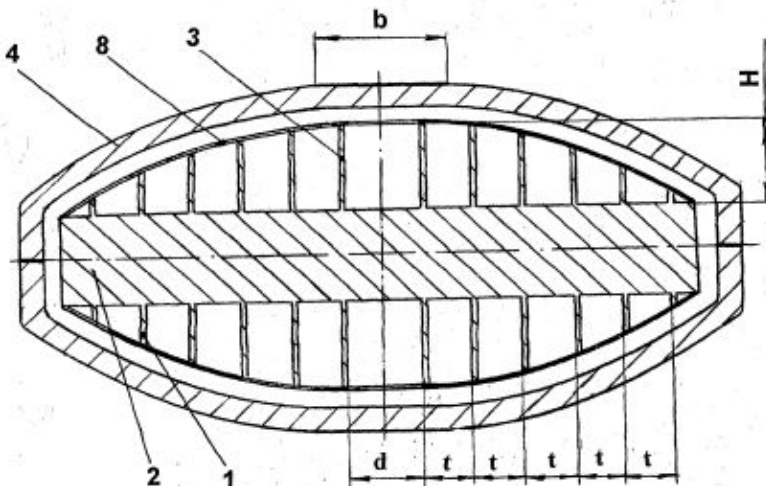
Abstract -- Radiation switch for radiation deflection and irradiation. b) Radiation surface suction probe for radiation deflection and irradiation. The patent specification for which a patent is applied is the combined result of my many years of research into environmentally harmful radiation returning to the sun. In fairly high concentration it is visible as livid-coloured light having a frequency of 40,000 mm. Livid radiation reflectors are produced and assembled by the industry over an uncontrolled, immense area. When used conscientiously and in a controlled manner, the switches and probes listed in the patent specification are suitable for preventing vegetation damage to man, animals, trees and plants. Measurable: with a 50 cm long golden chain on which a golden ring is threaded, shortened to 25 cm. The harmful radiation intensity starts at a pendulum deflection of 1 cm which leads absolutely to death of the

vegetation. Optically: photo/video: falsification of the spectral colours by superposition of the livid light. This livid radiation knows no obstacles. It can only be prevented by application and extension by experts of the law governing radiation protection.

WO 0218007

METHOD FOR PROTECTING A HUMAN BEING FROM THE ACTION OF A SPIN FIELD (RADIATION) HAVING LEFT POLARISATION OF SPACE

Inventor: ORLOV IGOR IVANOVICH [UA] ; BACHISHEV GORCHMA NURY-OGLY



Abstract -- The invention relates to medical equipment which is directed at neutralising damaging effects produced by data display devices, more specifically terminal display devices, TV sets etc, and can be used for video devices, computers and power devices. Said invention can be also used for protecting against the negative effects of geopathogenic zones and geobiological systems. The inventive method is based on an additional field (radiation) having the opposite direction of a spin polarisation within the volume of the field. Said field is produced by the data display device. In addition, a supplementary compensating spin field having a right polarisation of environmental space is created with the aid of a physical vacuum polariser having a right polarisation which is based on the effect of prepolarisation of the polariser's substance. The inventive device comprises a compensating element embodied in the form of at least two coaxial sockets which are arranged on a common base. The internal socket has the lower of the dimensions d of the cross section thereof, which is equal to $d > 0,5 H$, where H represents the height of the socket. Said coaxial sockets have the cross section chosen from a range consisting of a polygon with the side number thereof $m \geq 3$, a circle, a rotary body having an arbitrary shape and the combination of said figures. The walls of the sockets are embodied in such a way that they are sharp-edged on the side of the free ends thereof.

WO 9632192

DEVICE FOR INFLUENCING THE STRUCTURE OF MATERIAL OBJECTS

Inventor: UVAROV VLADIMIR VASILIEVICH
 UVAROV VLADIMIR VASILIEVICH [RU]

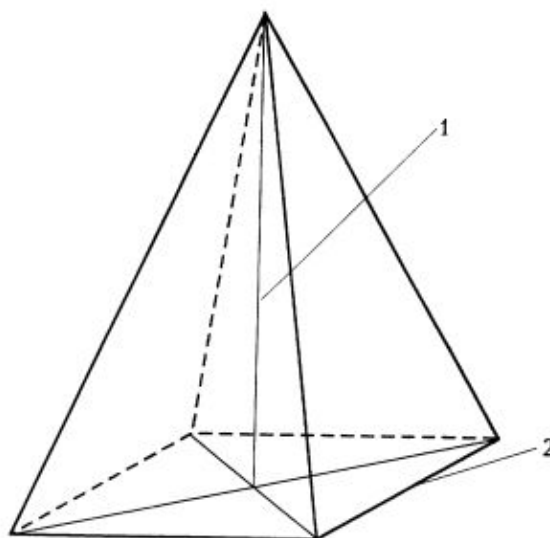


Fig. 1

Abstract --The technical problem addressed by the invention is that of enhancing an influence on material objects. To enhance a positive influence on material objects, regular rectangular pyramids are proposed, made from a dielectric material and set up in such a way that each of the side facets is aligned with the directions of the horizon, while the geometrical shape of the pyramid is determined by a ratio of the base sides to the pyramid height expressed as follows: $A = 1.572302...H$ or $A = 0.485868...H$, wherein A is the base side of the regular rectangular pyramid and H is the height of the regular rectangular pyramid.

WO 9319579
METHOD AND DEVICE FOR INFLUENCING AN OBJECT AND APPARATUS USING SAID DEVICE

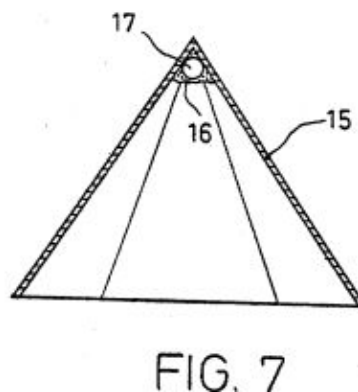
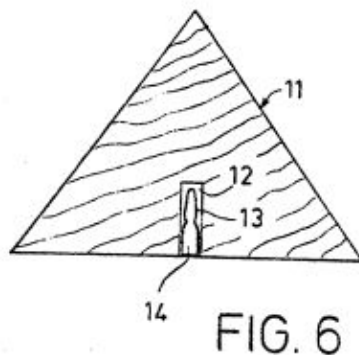
Inventor: KARP YULY SEMENOVICH

Also published as: WO9319579 // EP0646392 // EP0646392 // AU3098692

Abstract -- A method for influencing an object participating in a technological process consists in directing an external energy on an intermediate element which changes its functional state and influences the object participating in the technological process, and the influence is formed as a secondary radiation which is interconnected with the external energy and which is generated from the substance contained in the material of the intermediate element. The formation of the secondary radiation flow with desired parameters is effected by periodical variation of the vector of anisotropy of the substance of the intermediate element and the thus formed flow of the secondary radiation is directed on the object.; The device comprises an external energy source (2) and an intermediate element (3) capable of generating an influence in the form of secondary radiation matching with the external energy from the source (2) and resulting from the periodical change of the vector of anisotropy of the substance contained in the material of the intermediate element (3). The device is used as apparatus for programmed stimulation of self-regulation of biological objects for correction of their functional state.

DE 3320518
Device for changing radiesthetically measurable fields

Inventor: SCHWEITZER PAUL DR



Abstract -- The invention relates to a device for changing radiesthetically measurable fields with the object of avoiding the pathogenic effects of their biologically active regions, the so-called irritant zones. These fields are mainly caused by underground water veins. However, they are also found in space lattice-like structures, the so-called lattice systems incident from the atmosphere. All the measures and devices known to date for attenuating or eliminating the effect of the irritant zones have shortcomings or disadvantages. As a rule, they are ineffective with regard to the particularly dangerous crossing region of the irritant zones, or they detect only individual frequencies and must be adjusted with the risk of inefficacy due to maladjustment. The invention is based on the object of creating a device for changing radiesthetically measurable fields which avoids the aforesaid disadvantages. This object is achieved using a pyramidal body in that one or more elements, e.g. another pyramidal body, or an element which is resonant in the microwave range, e.g. a spiral, or a homeopathic preparation, is arranged within or directly underneath this body.

Your Support Maintains this Service

Buy

The Civilization Kit

**... It's Your Best Bet & Investment in Sustainable Humanity on Earth ...
Everything @ rexresearch.com on a Thumb drive or Download !**

[ORDER PAGE](#)